

## AC Controllers for PMAC and Induction Motors

72-96V, 180, 350 and 550A<sup>1</sup>

The G80-series represent the latest design in compact AC Controllers. These reliable controllers are intended for on-road and off-road electric vehicles and feature the smallest size in the industry for their power capacity.

Thanks to the high efficiency it is possible to integrate these controllers into very tight spaces without sacrificing performance. The design has been optimized for the lowest possible installed cost while maintaining superior reliability in the most demanding applications.

### Choice of Motors Types

Gen4 controllers are designed to control both AC Asynchronous and Permanent Magnet Synchronous motors. This feature allow users to select an optimal motor type for the application.

### Multiple Sensor Feedback Possibilities

Hardware inputs and software control for UVW, Pulse Encoder and Sin/Cos Feedback Devices are provided for flexibility.

### Fully CANopen Compliant

A CANopen bus allows easy interconnection of controllers and devices such as displays and driver controls. The CAN bus allows the user to wire the vehicle to best suit vehicle layout since inputs and outputs can be connected to any of the controllers on the vehicle and the desired status is passed over the CAN network to the relevant motor controller.

### Excessive Battery Discharge Protection

Allowed peak battery current is not always fixed and can vary with battery conditions such as temperature and state of discharge. The Gen4 controllers can dynamically change the allowed battery current by exchanging CAN messages with a compatible Battery Management System. This feature assists in optimizing driving range and improving the battery life.

### Additional Features

- » *Advanced flux vector control*
- » *Autocheck system diagnostics*
- » *Sensorless control for select applications*
- » *Integrated logic circuit*
- » *Hardware and software failsafe watchdog operation*
- » *Integrated fuse holder*
- » *IP66 protection class*



# Gen4™

## Self-characterization

Sevcon's unique Self Characterization enables a Gen4 controller to automatically define and optimize parameters for Induction AC motors. This feature provides quick set-up and allows customers to select motor suppliers of their choice without worrying about compatibility between controller and motor.

## Integrated I/O

These units include a cost-effective, fully-integrated set of inputs and outputs (I/O) designed to handle a wide range of vehicle requirements. This eliminates the need for additional external I/O modules or vehicle controllers and connectors

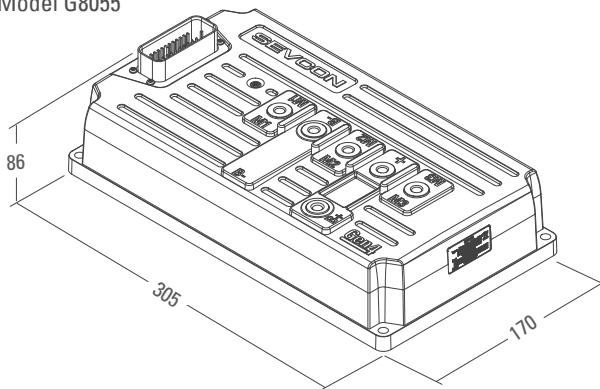
## Handheld Calibrator

Sevcon's handheld Calibrator provides a simple yet powerful means of accessing the Gen4 CANopen bus for diagnostics or parameter adjustments. This unit features password protected access levels and a customized logo start-up screen. The high resolution and contrast of the color screen combined with the ergonomical layout makes this calibrator simple to use.

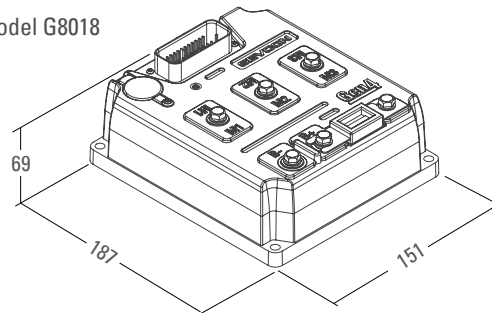


## Overall Dimensions

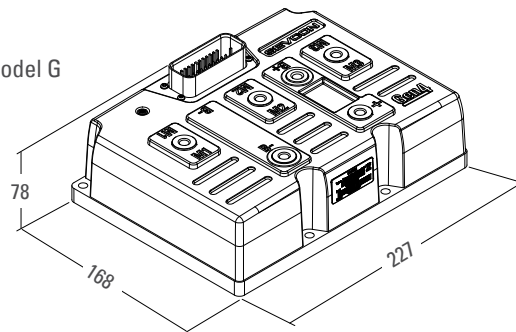
Model G8055



Model G8018



Model G



## General Specifications

Model	G8018	G8035	G8055
Nominal battery voltage	72 to 80VDC		
Max. operating voltage	116VDC		
Min. operating voltage	39.1VDC		
Peak current (2 min) <sup>1</sup>	180A	350A	550A
Boost current (10 sec) <sup>1</sup>	215A	420A	660A
Cont. current (60 min) <sup>1</sup>	75A	140A	220A
Digital inputs	8		
Analog inputs	2 (can be config. as digital)		
Motor temperature sensor input	Yes (thermistor)		
Contactors/solenoid outputs (2A)	3 (1-16kHz) <sup>2</sup>		
Motor UVW inputs	Yes		
Motor encoder (AB) inputs	Yes		
Sin/Cos feedback inputs	Yes		
Encoder supply output	5V alt. 10V (max. 100mA)		
Supported CANopen profiles	DS301, DS401, DS402		
Ambient operating temperature	-40°C to +85°C		
Protection class	IP66		

1) Current values are based on nominal battery voltage. Stated currents and/or duration will be reduced at higher voltages.

2) Current or voltage controlled.

### Sevcon Ltd.

Kingsway South  
Gateshead, NE11 0QA  
United Kingdom  
Tel +44 (0)191 497 9000  
Fax +44 (0)191 482 4223  
sales.uk@sevcon.com

### Sevcon, Inc.

155 Northboro Road  
Southborough, MA 01772  
USA  
Tel +1 508 281 5500  
Fax +1 508 281 5341  
sales.us@sevcon.com

### Sevcon SA

12 Rue Jean Poulmarch  
95100 Argenteuil  
France  
Tel +33 1 34 10 9545  
Fax +33 1 34 10 6138  
sales.fr@sevcon.com

TECH/OPS



www.sevcon.com