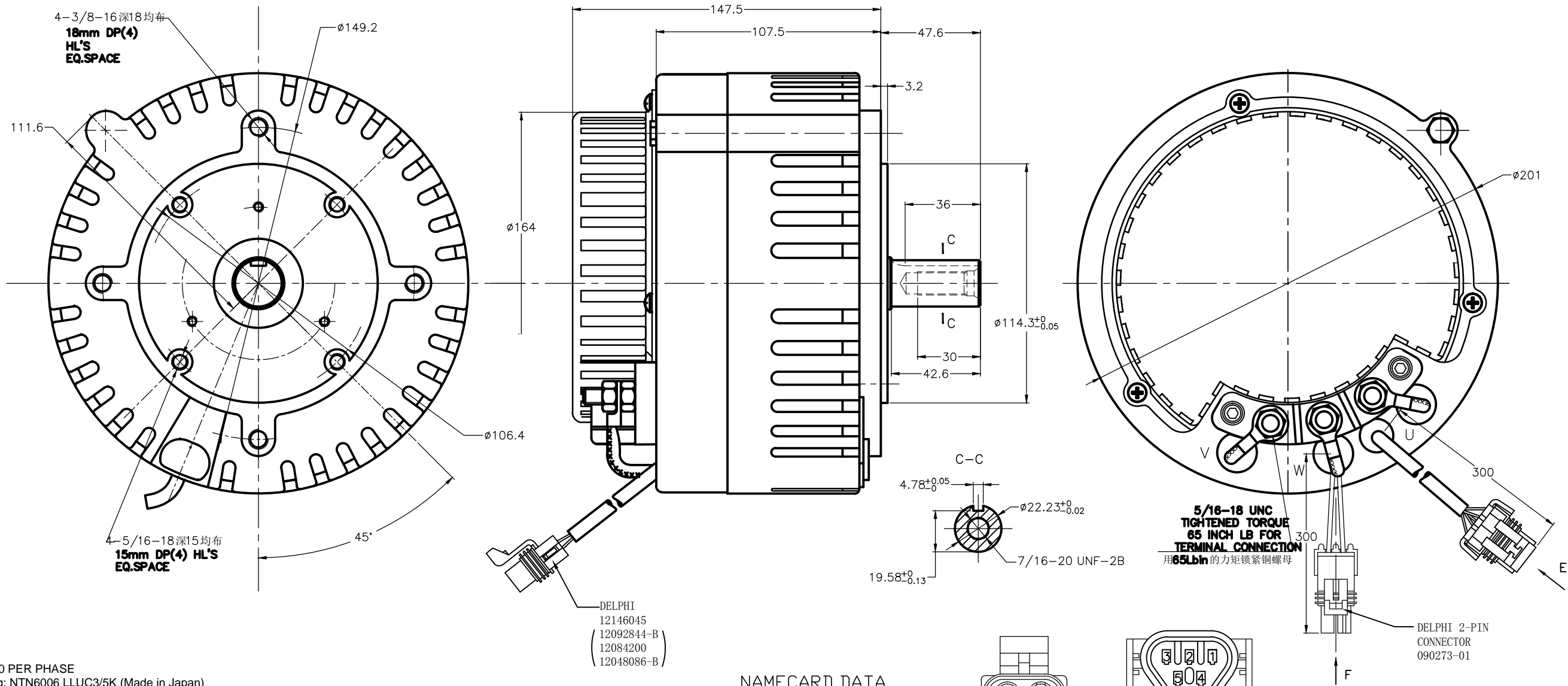
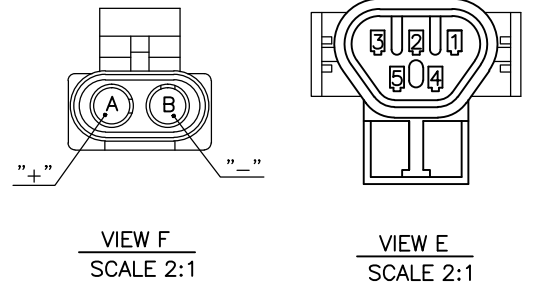


- 技术要求:
- 1、电机系单方向旋转，从轴伸端视为逆时针方向。
 - 2、每相20匝。
 - 3、电机前轴承型号采用NTN6006 LLUC3/5K(日本原装)。
 - 4、电机用聚苯乙烯泡沫和普通白盒包装，每台电机上应刻上铭牌。
 - 5、包装上需注: Date Code:xxxxxx
Part Number:ME0907
Made in China
 - 6、绕组里面安装温度传感器KYT84-130。



- NOTES:
- 1.CCW FAN
 - 2.TURNS IS 20 PER PHASE
 - 3.Front bearing: NTN6006 LLUC3/5K (Made in Japan)
 - 4.Product to be shipped in plain white box, styrofoam packaging
Include Dyno Plot of namecard for each motor.
 - 5.Box to be marked:
Date Code: XXXXXXX
Part Number: ME0907
Made in China
 - 6.Temperature Sensor KTY84-130 Installed in windings.

NAMECARD DATA
PART # ME0907
DATE CODE XXXXXX
SERIAL #:XX.XX.XXXX
MOTENERGY, INC.
SLINGER, WI USA



PIN LOCATION 插孔点	WIRE DESIGNATION 导线标记	WIRE COLOR 导线颜色	REMARKS 注意
1	S1 (U1)	WHITE 白	--
2	S2 (U2)	GREEN 绿	--
3	S3 (U3)	BLUE 蓝	--
4	GND (0)	BLACK 黑	SHIELD TIED TO THIS PIN
5	V _{cc} (+12)	RED 红	--

REV.	CHANGES	BY	ECO NO.	DATE	DO NOT SCALE DRAWING THIS DRAWING IS PROPRIETARY PROPERTY OF MOTENERGY, INC. DISCLOSED IN CONFIDENCE, WHICH MAY NOT BE USED OR DISCLOSED WITHOUT PERMISSION. RETURN PROMPTLY AFTER USE.	DIMENSIONING AND TOLERANCING PER ANSI Y14.5M-1994	MATERIAL	TITLE OUTLINE ME0907 永磁式无刷直流盘式电动机 外形图	MOTENERGY, INC. SLINGER, WISCONSIN, U.S.A.
-	-	-	-	-	-	-	-	-	-
-	-	-	-	-	-	-	-	-	-
-	-	-	-	-	-	-	-	-	-
-	-	-	-	-	-	-	-	-	-
-	-	-	-	-	-	-	-	-	-
-	-	-	-	-	-	-	-	-	-
-	-	-	-	-	-	-	-	-	-
-	-	-	-	-	-	-	-	-	-
-	-	-	-	-	-	-	-	-	-