

BMOD0094 P075 B02



PRODUCT SPECIFICATIONS

CAPACITANCE	
Nominal capacitance	94 F
Tolerance capacitance	0% / 20%
VOLTAGE	
Rated voltage	75 V
Surge voltage	90 V
Maximum operating voltage	86 V
Isolation voltage 50Hz, 1 min. Maximum string operating voltage 1,500 V DC	2,500 V DC
RESISTANCE	
ESR, DC Max., room temperature	12.5 mΩ
Resistance tolerance	Max.
TEMPERATURE	
Operating temperature range	-40°C to +65°C
Storage temperature range	-40°C to +70°C
Capacitance change	± 5%
Internal resistance change	± 50%
POWER	
Total Energy	73.2 Wh
LIFESPAN	
Endurance (rated voltage, 65°C) After 1,500 hours application of rated voltage at 65°C. Within % of initial specified value.	150,000 hours
Capacitance change	< 20% decrease
Resistance change	< 60% increase
DC Life (rated voltage, 25°C)	150,000 hours (17 years)
Capacitance change	< 20% decrease
Resistance change	< 100% decrease
Cycle Life	1,000,000
Capacitance change	< 20% decrease
Resistance change	< 100% decrease
CURRENT	
Leakage current After 72 hours at 25°C. Initial leakage current can be higher.	150 mA
Short circuit current (Isc) CAUTION: Current possible with short circuit from UR. Do not use as an operating current.	4,800 A
Maximum continuous current	50 A

MONITORING (IN-BUILT)	
Balancing	Passive
Thermal monitoring	PT100, Deutsch DTM04-2P
SIZE	
Dimensions (L x W x H) (mm) (±0.5mm)	515 x 263 x See drawing
Weight	25 kg
RATINGS	
Environmental resistance	IP54
Vibration resistance	SAE J2380

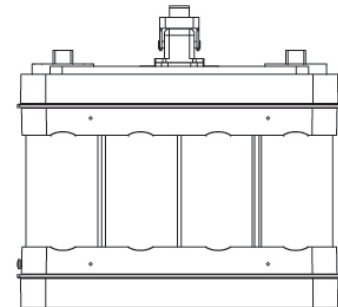
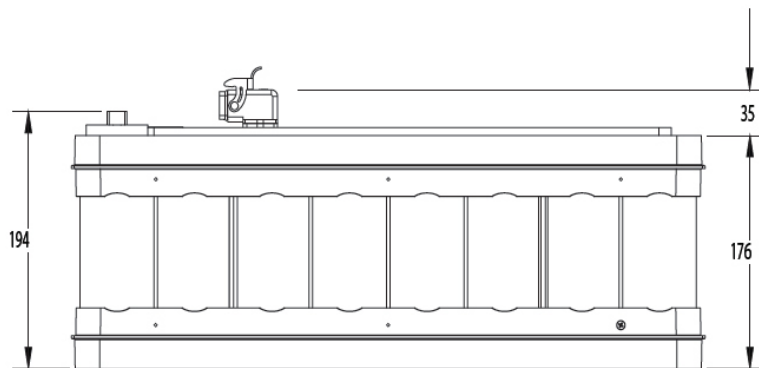
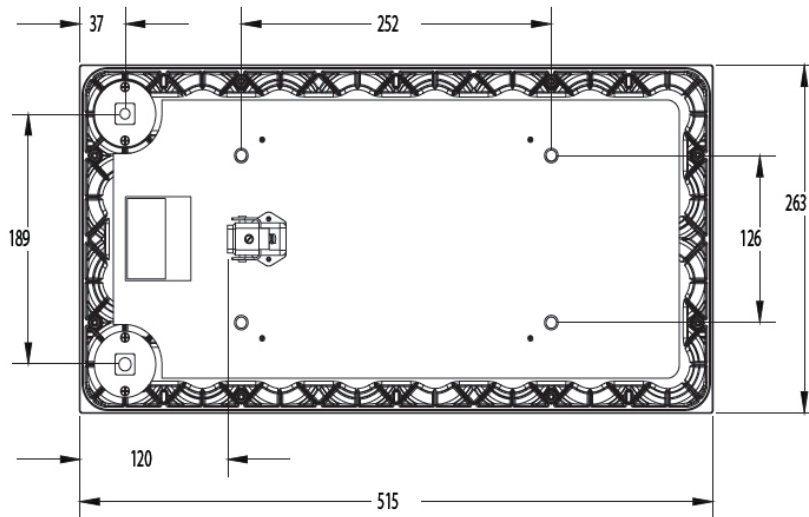
TYPICAL FEATURES AND BENEFITS

- Ultra-low internal resistance
- Highest power performance available
- Lowest time constant
- 75 V operating voltage
- Temperature monitoring
- Over 1,000,000 duty cycles
- Water, dust and vibrations resistant with IP54 and SAE J2380 compliance

TYPICAL APPLICATIONS

- Grid / Power quality
- UPS / Backup for heavy machinery
- Wind turbine pitch systems

BMOD0094 P075 B02



Product dimensions are in mm and for reference only unless otherwise identified. Product dimensions and specifications may change without notice. Please contact Maxwell Technologies directly for any technical specifications critical to application.

INCLUDED IN BMOD0063 P125

2 power connectors; threaded aluminium:

- 1x M8 (positive)
- 1x M10 (negative)

1 Monitoring connector:

- Harting® HAN 09 37 003 0801 (base), 09 36 008 3001 (insert) Thermal monitoring through PT100 Minco S17624PDYT20B

MARKINGS

Modules are marked with the following information: Rated capacitance, rated voltage, product number, name of manufacturer, positive and negative terminal, warning marking, serial number.

Maxwell Technologies, Inc.
Worldwide Headquarters
 9244 Balboa Avenue
 San Diego, CA 92123
 USA
 Tel: +1 858 503 3300
 US Free Call: +1 877 511 4324
 Fax: +1 858 503 3301

Maxwell Technologies SA
 CH-1728 Rossens
 Switzerland
 Tel: +41 (0)26 411 85 00
 Fax: +41 (0)26 411 85 05

Maxwell Technologies, GmbH
 Brucker Strasse 21
 D-82205 Gilching
 Germany
 T: +49 (0)8105 24 16 10
 F: +49 (0)8105 24 16 19

Maxwell Technologies, Inc.
Shanghai Representative Office
 Rm.2104, Suncome Liauw's Plaza
 738 Shang Cheng Road, Pudong New Area
 Shanghai 200120, P.R. China
 Tel: +86 21 5836 5733
 Fax: +86 21 5836 5620

Online: www.maxwell.com • Email: info@maxwell.com