

The innovative SBE® connectors provide cost-effective reliability, design flexibility and safety for your products' manufacture, installation and maintenance.

APP's 2 pole connector is available with a 160 amp rating, 150 Volts continuous AC or DC operation. There are SBE® connectors for many applications and wire sizes, 1/0 or 35 mm. Mechanical keys ensure connectors will only mate with connectors of the same color. Different color housings are selected to identify voltages, thus preventing mismatching of the power supply system.

FEATURES

- Finger proofing**
Helps prevent fingers (or probes) from accidentally touching live contacts. SBE®160 connector meets EN1175 requirements.
- Auxiliary contacts**
Provides ability to incorporate a secondary sensor control circuit
- Optional air supply system**
Supplies air to battery during charging



PRODUCT SPECIFICATIONS

Connector Model	SBE®160	Connector Model	SBE®160
UL Current Rating (Amperes)*	160*	Life	
UL Voltage Ratings (Volts)	150*	a. No load (Contact/Disconnect Cycles)	To 10,000
Contact Barrel Wire Size (AWG)	1/0 or 35 mm	b. Under Load (Hot Plug 250 cycles @ 120V)	75A
Maximum Wire Insulation Diameter (inches)	0.75	Avg. Connection/Disconnect (lbf)	25
(mm)	19.1	Operating Temperature Range °C**	-20° to 105°
AVG Contact Resistance* (micro-ohms)	100	°F	-4° to 221°
Insulation Withstanding Test Voltage (Volts AC/DC)	1300	Flammability Rating of Housing Material	UL94 V-0
Contact Retention Force (lbf)	300		



* UL Rated for 65°C largest wire or cable size
 ** Contact factory for higher temperature rated connector

ORDERING INFORMATION

2 Pole Housing, 160 amp Contacts, & Auxiliary Contacts

Part Number	Housing Color	Wire sq. mm
E6370G2	Gray	35
E6371G2	Blue	35
E6372G2	Orange	35
E6373G2	Yellow	35
E6378G2	Red	35
E6387G2	Green	35
E6388G2	Black	35

2 Pole Housing & Contacts

Part Number	Housing Color	Wire sq. mm
E6374G2	Gray	35
E6375G2	Blue	35
E6376G2	Orange	35
E6377G2	Yellow	35

2 pole housing & contacts continued

Part Number	Housing Color	Wire sq. mm
E6379G2	Red	35
E6391G2	Green	35
E6389G2	Black	35

Housings Only

Part Number	Color
E6380G1	Gray
E6381G1	Blue
E6382G1	Orange
E6383G1	Yellow
E6385G1	Red
E6390G1	Green
E6392G1	Black

Contacts

Part Number	Description	AWG	Wire sq. mm
6384G2	Contact set (2)	N/A	35
6384G1	Contact set (2)	1/0	53.5

Accessories

Part Number	Description
6344	Auxiliary contact kit
6337G1	Charger key
995G1	Handle with hardware"A" frame
993G2	Manual release-battery bracket with hardware
994G2	Manual release-charger/truck bracket with hardware
945G2	Cable clamps-use alone with manual release or "A" frame handle

Part Number	Description
6367G1	#16/12(1.31/3.31mm)-for battery-pin
6366G2	#16/12(1.31/3.31mm)-for charger & truck-tube

Note: For additional colors please contact customer service

HEADQUARTERS: 13 Pratts Junction Road, P.O. Box 579, Sterling, MA 01564 T:978-422-3600 F:978-422-3700

EUROPE: Rathealy Road, Fermoy Co. Cork, Ireland T:353-(0)25-32277 F:353-(0)25-32296

ASIA/PACIFIC: IDEAL Anderson Asia Pacific Ltd., Unit 922-928 Topsail Plaza, 11 On Sum Street, Shatin N.T., Hong Kong T:852-2636-0836 F:852-2635-9036

CHINA: IDEAL Anderson Technologies (Shenzhen) Ltd., Block A8 Tantou W. Ind. Par, Songgang Baoan District, Shenzhen, PR. China 51810 T: 86-755-2768-2118 F: 86-755-2768-2218

TAIWAN: IDEAL Anderson Asia Pacific Ltd., Taiwan Branch, 4F-2, No.116, Dadun 20th St., Situn District, Taichung City 407, Taiwan (R.O.C.) T: 886-4-2310-6451 F:886-4-2310-6460

www.andersonpower.com

ORDERING INFORMATION

accessories continued

Bushings

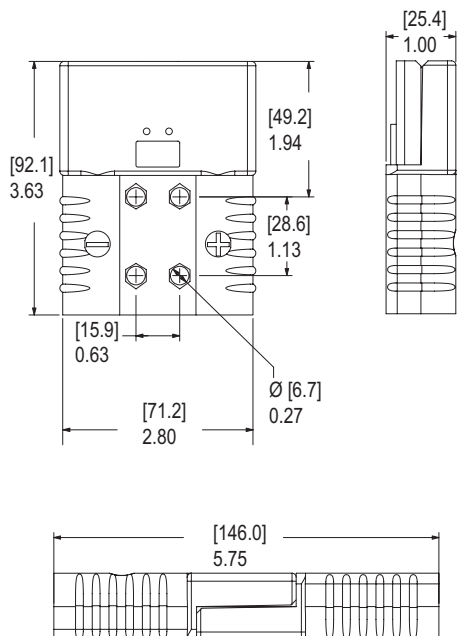
Part Number	Description	Wire	
		AWG	sq. mm
5687	For use with 6384G1	1/0 to #1	53.5 to 42.4
5690	For use with 6384G1	1/0 to #2	53.5 to 33.6
5693	For use with 6384G1	1/0 to #4	53.5 to 21.2
5663	For use with 6384G1	1/0 to #6	53.5 to 13.3
5648	For use with 6384G1	1/0 to #10	53.5 to 5.3
5920	For use with 6384G2	N/A	35mm to 16mm

Tooling

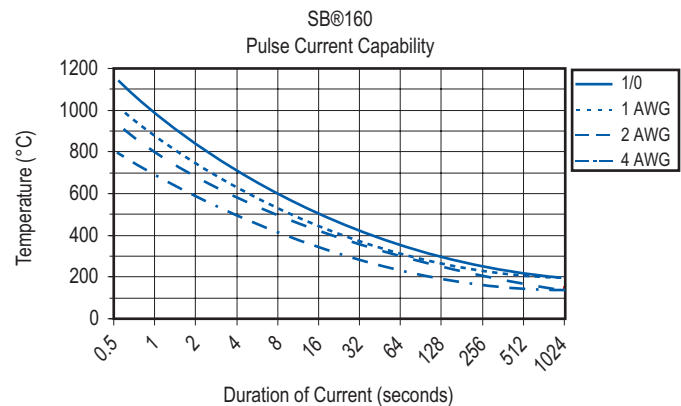
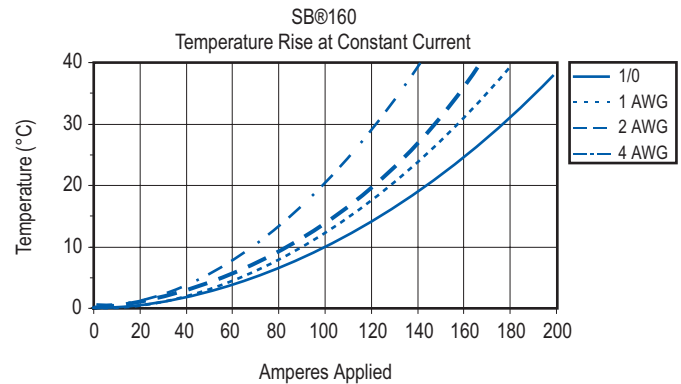
Part Number	Description
969P1	Extraction tool-insulatd handle
111038G2	Contact insertion/extraction tool for auxiliary contact kit
1368	Hand tool for 1/0 to 35mm (53.5/35)
1387G1	Pneumatic tool
1388G3	- die for 1/0 to #10 (53.5/5.26)
1389G3	- locator for 1/0 to #10 (53.5/5.26)
1387G2	- Pneumatic tool
1303G4	- die for #4 (21.1)
1304G4	- locator for #4 (21.1)

DIMENSIONS

Housing

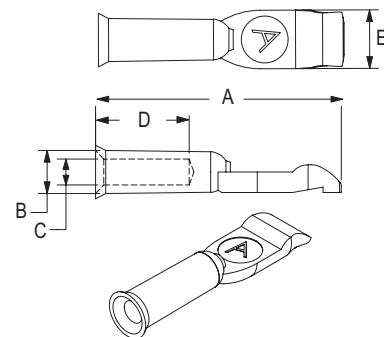


TEMPERATURE RISE CHART



Contacts

	-A-		-B-		-C-		-D-		-E-	
	mm	in.	mm	in.	mm	in.	mm	in.	mm	in.
6384G1	59.2	2.33	13.1	0.52	11.1	0.44	20.7	0.82	12.7	0.50
6384G2	59.2	2.33	13.1	0.52	9.5	0.38	20.7	0.82	12.7	0.50



File No. E26226

All Data Subject To Change Without Notice

HEADQUARTERS: 13 Pratts Junction Road, P.O. Box 579, Sterling, MA 01564 T:978-422-3600 F:978-422-3700

EUROPE: Rathealy Road, Fermoy Co. Cork, Ireland T:353-(0)25-32277 F:353-(0)25-32296

ASIA/PACIFIC: IDEAL Anderson Asia Pacific Ltd., Unit 922-928 Topsail Plaza, 11 On Sum Street, Shatin N.T., Hong Kong T:852-2636-0836 F:852-2635-9036

CHINA: IDEAL Anderson Technologies (Shenzhen) Ltd., Block A8 Tantou W. Ind. Par, Songgang Baoan District, Shenzhen, PR. China 51810 T: 86-755-2768-2118 F: 86-755-2768-2218

TAIWAN: IDEAL Anderson Asia Pacific Ltd., Taiwan Branch, 4F.-2, No.116, Dadun 20th St., Situn District, Taichung City 407, Taiwan (R.O.C.) T: 886-4-2310-6451 F:886-4-2310-6460

www.andersonpower.com